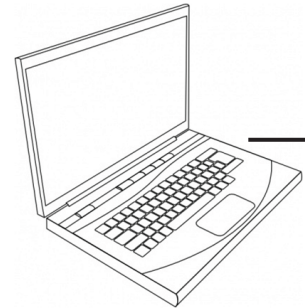
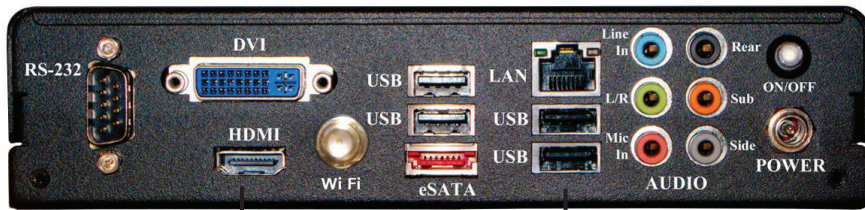


### PN-TPCi7W7 with pre-installed Sharp Pen Software™

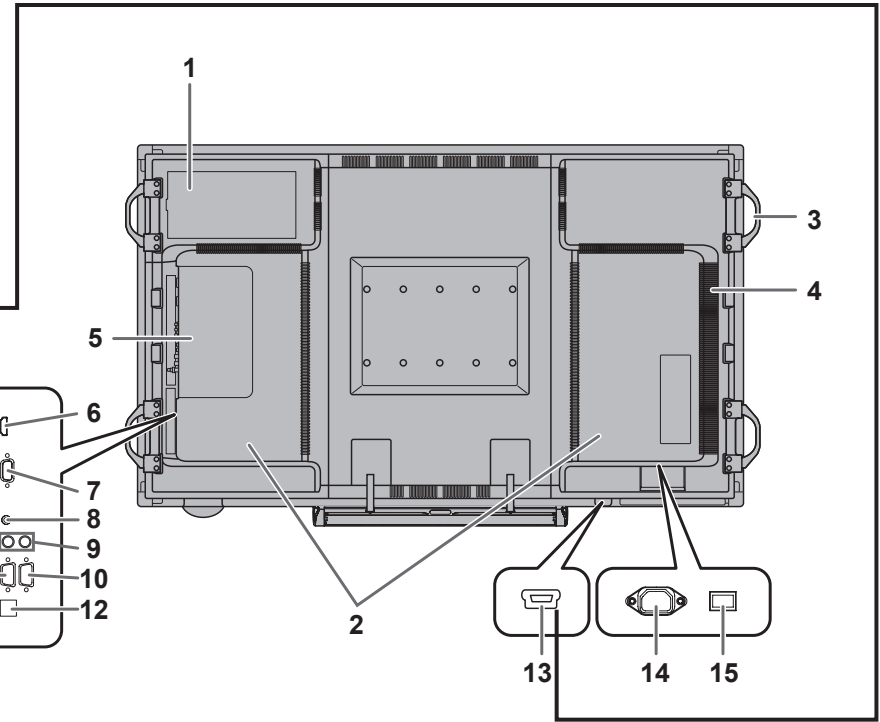
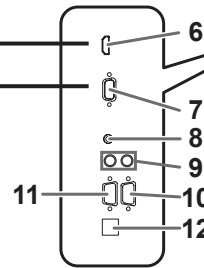


**Optional User Provided PC**  
(alternative presentation source)

USB Cable (included)

HDMI® Cable (included)

Optional VGA Cable



- 1. Optional attachment section**  
This section is used to connect optional hardware for function expansion. Offering this attachment location is not a guarantee that future compatible hardware attachments will be released.
- 2. Speakers**
- 3. Handles**
- 4. Vents**
- 5. Expansion terminal cover**  
Additional input/output terminals are available by attaching the PN-ZB01 interface expansion board (optional).
- 6. PC/AV HDMI input terminal**
- 7. PC D-sub input terminal**

- 8. Audio input terminal**
- 9. Audio output terminals**
- 10. RS-232C output terminal**
- 11. RS-232C input terminal**
- 12. Optional terminal**  
This terminal is provided for possible future (optional) function expansion. Offering of this terminal is not a guarantee that future expanded functionality will be provided.
- 13. USB port**
- 14. AC input terminal**
- 15. Main power switch**