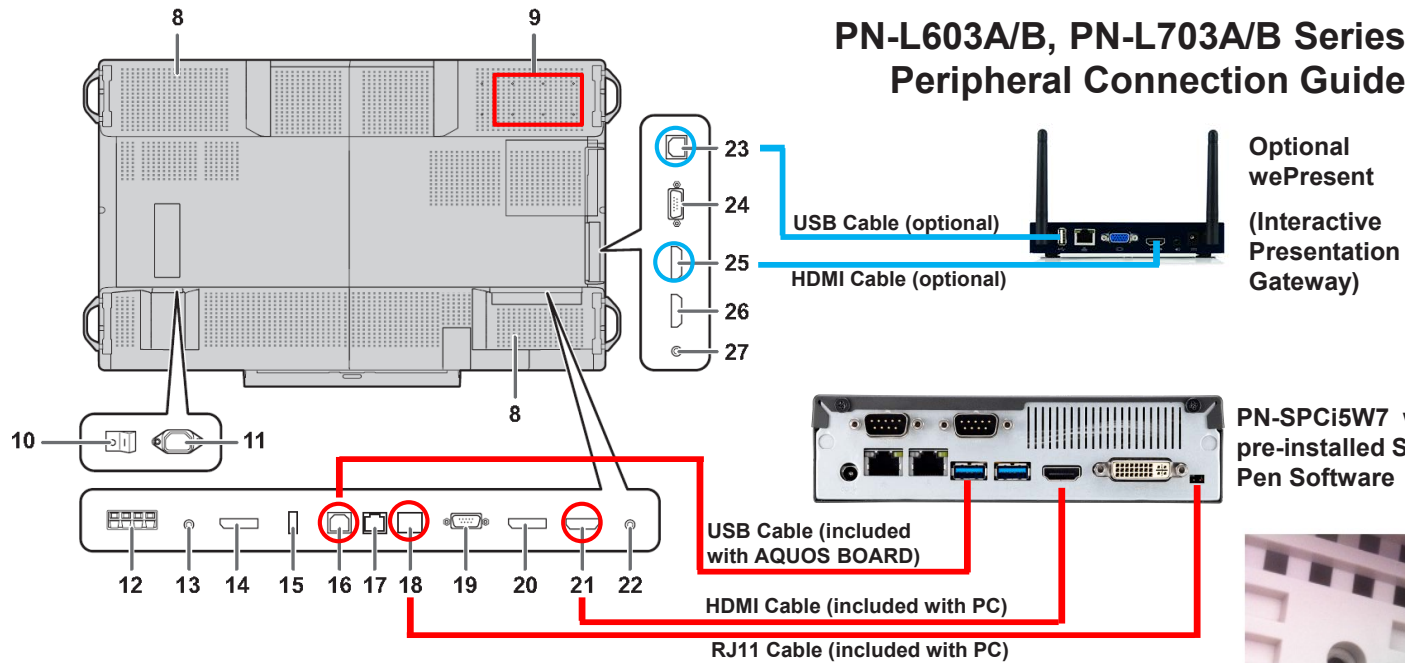


PN-L603A/B, PN-L703A/B Series Peripheral Connection Guide



8. Vents

9. PN-SPCi5W7 Mounting Location

10. Main power switch (See page 17.)

11. A/C input terminal (See page 14.)

12. External speaker terminals (See page 13.)

13. Audio output terminal (See page 13.)

14. DisplayPort output terminal (See page 13.)

15. Touch pen adapter port (See page 19.)

16. USB 1 port (See page 13.)

17. LAN terminal (See page 13.)

18. RJ-11 Port for PN-SPCi5W7

19. D-sub 1 input terminal (See page 12.)

20. DisplayPort input terminal (See page 12.)

21. HDMI 1 input terminal (See page 12.)

22. Audio 1 input terminal (See page 13.)

23. USB 2 port (See page 13.)

24. D-sub 2 input terminal (See page 12.)

25. HDMI 2 input terminal (See page 12.)

26. HDMI 3 input terminal (See page 12.)

27. Audio 2 input terminal (See page 13.)

* Page numbers refer to Operation Manual

SHARP®

SHARP ELECTRONICS CORPORATION
Professional Display Division
Sharp Plaza, Mahwah, NJ 07495-1163

© 2014 Sharp Electronics Corporation. All rights reserved. Design and specifications are subject to change without notice. Sharp and related trademarks are trademarks or registered trademarks of Sharp Corporation and/or its affiliated entities. HDMI is a registered trademark of HDMI Licensing LLC. All other trademarks are the property of their respective owners.