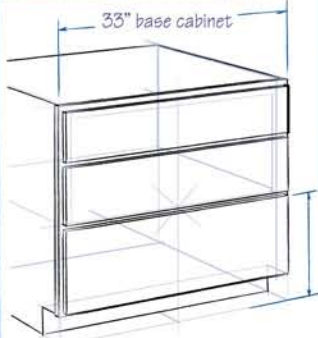


# Installation TIPS: 30" Sharp Microwave Drawer® in 33" wide stock cabinet

For face frame style cabinets

\* Please refer to the installation manual for more information regarding product safety and proper installation procedures and requirements.

## PLANNING



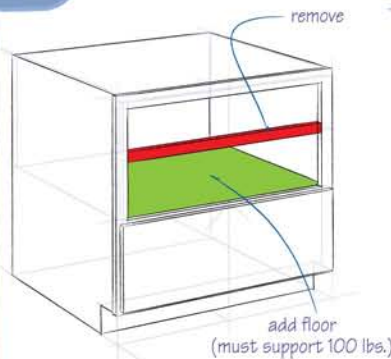
**Example Shown:**

- Base 3 drawer Cabinet 34 1/2" H
- Design and availability vary by cabinet manufacturer.
- Installation requires a pre-finished filler.

\*From floor to top of bottom drawer/doors: 18 5/16" max.

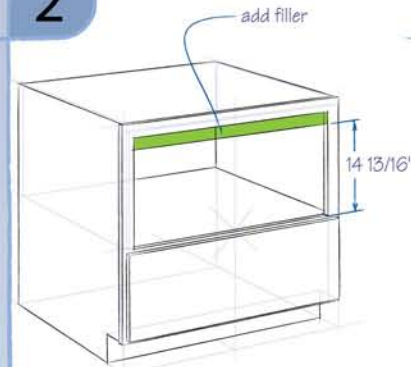
\*Dimension allows for 1/4" gap between the Microwave Drawer and the countertop and 1/2" gap between the bottom of the Microwave Drawer and the top of the lower drawer/door.

1



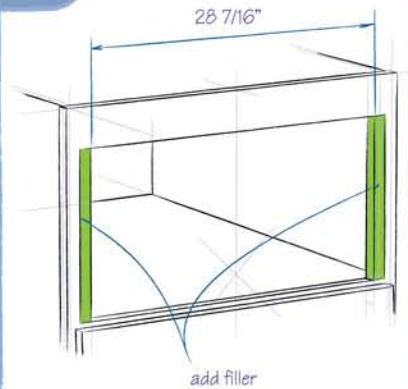
Remove top two drawers, drawer slides and stile. Add support surface. Must support 100 lbs.

2



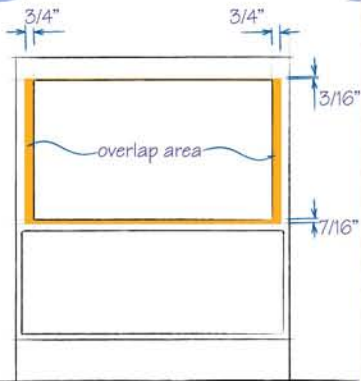
Add horizontal filler to the top of the opening. Height of opening should be 14 13/16".

3



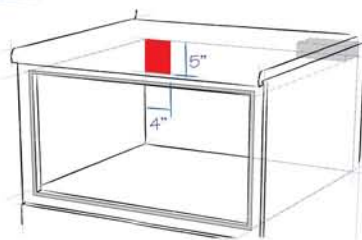
Add vertical fillers to the opening width. The width of the opening should be 28 7/16".

4



Allow space around opening for product overlap.

5



Place electrical outlet in upper-back left side of opening. Electrical outlet can also be placed in an adjacent cabinet. Always check electrical codes for requirements. Proceed to Installation Instructions to install Drawer into cabinet.

## Completed installation



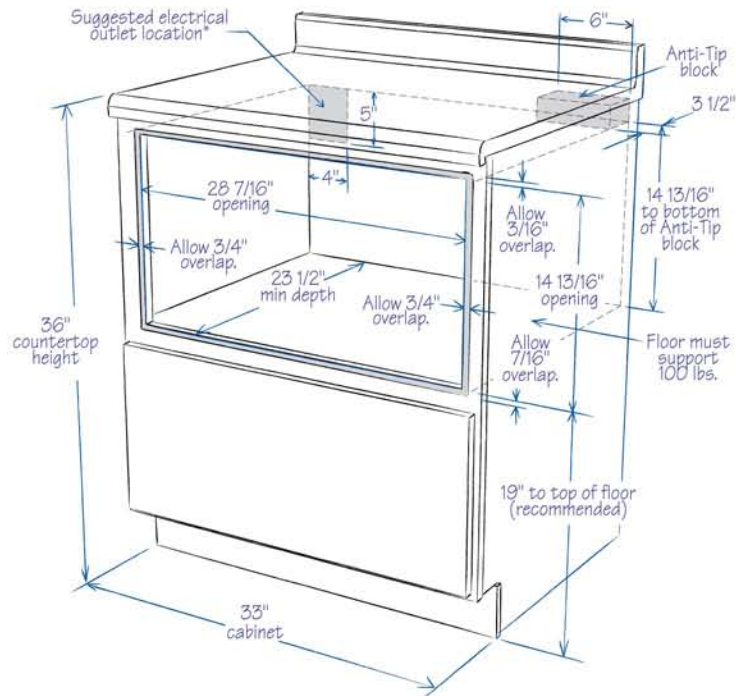
**SHARP.**

# Installation TIPS: 30" Sharp Microwave Drawer® in 33" wide stock cabinet

For face frame style cabinets

\* Please refer to the installation manual for more information regarding product safety and proper installation procedures and requirements.

## Cabinet cutout specification

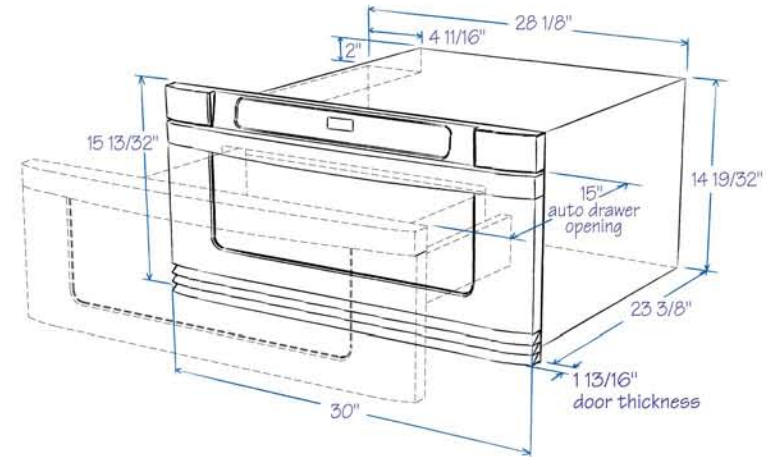


\* Can also be installed using an electrical outlet in an adjacent cabinet within the area where the provided electrical cord can reach. Power cord access hole in cabinet should be a minimum 1 1/2" diameter hole and deburred of all sharp edges.

**IMPORTANT** Always allow sufficient power cord length to the electrical outlet to prevent tension.

Always check electrical codes for requirements.

## Microwave Drawer dimensions



**Design and specifications are subject to change without notice.**

Sharp and Microwave Drawer are registered trademarks of Sharp Corporation. All other trademarks are the property of their respective owners.

06L124

# SHARP®

SHARP ELECTRONICS CORPORATION  
Sharp Plaza, Mahwah, NJ 07430-2135  
1-800-BE-SHARP • [www.sharpusa.com/microwavedrawer](http://www.sharpusa.com/microwavedrawer)