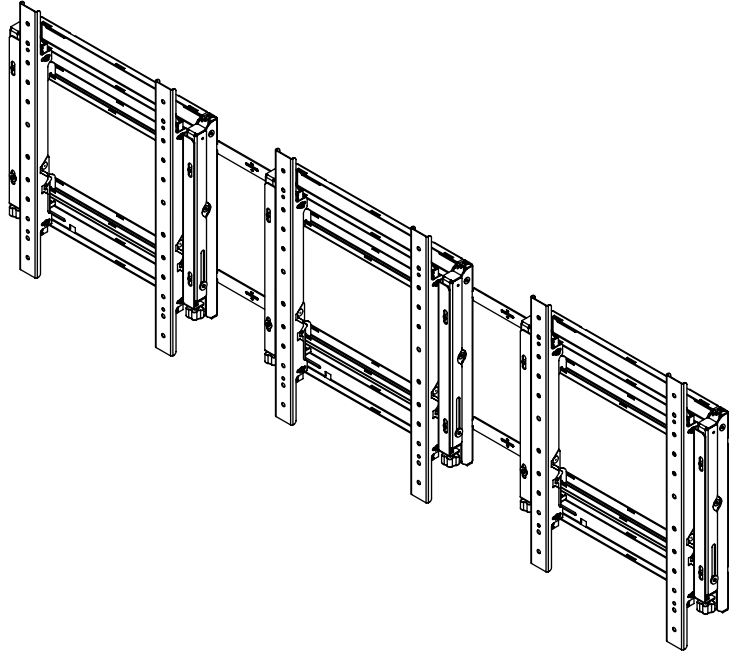


TECHNICAL DATA SHEET - MODELS: PN-PW310

peerless-AV™

Features:

- Pre-packaged 3 X 1 portrait matrix video wall
- Designed spacer plates monitor vertical and horizontal distance for fast onsite installs
- Open wall plate for electrical and cable access
- Pull-out and prop mechanism allows for full service and rear access after install
- “Tool less” adjustment in height, width, and depth for screen alignment
- Integrated Cord management



Dimensions:

Shipping weight:
403 lbs (183 kg)

Shipping Carton dimensions:

BOX 1.....3 TOTAL BOXES

L = 37.5 in (952 mm)
W = 24 in (610 mm)
H = 5 in (127 mm)

Shipping Carton dimensions:

BOX 2.....2 TOTAL BOXES

L = 24 in (610 mm)
W = 4 in (101 mm)
H = 4 in (101 mm)

ARCHITECTS SPECIFICATIONS

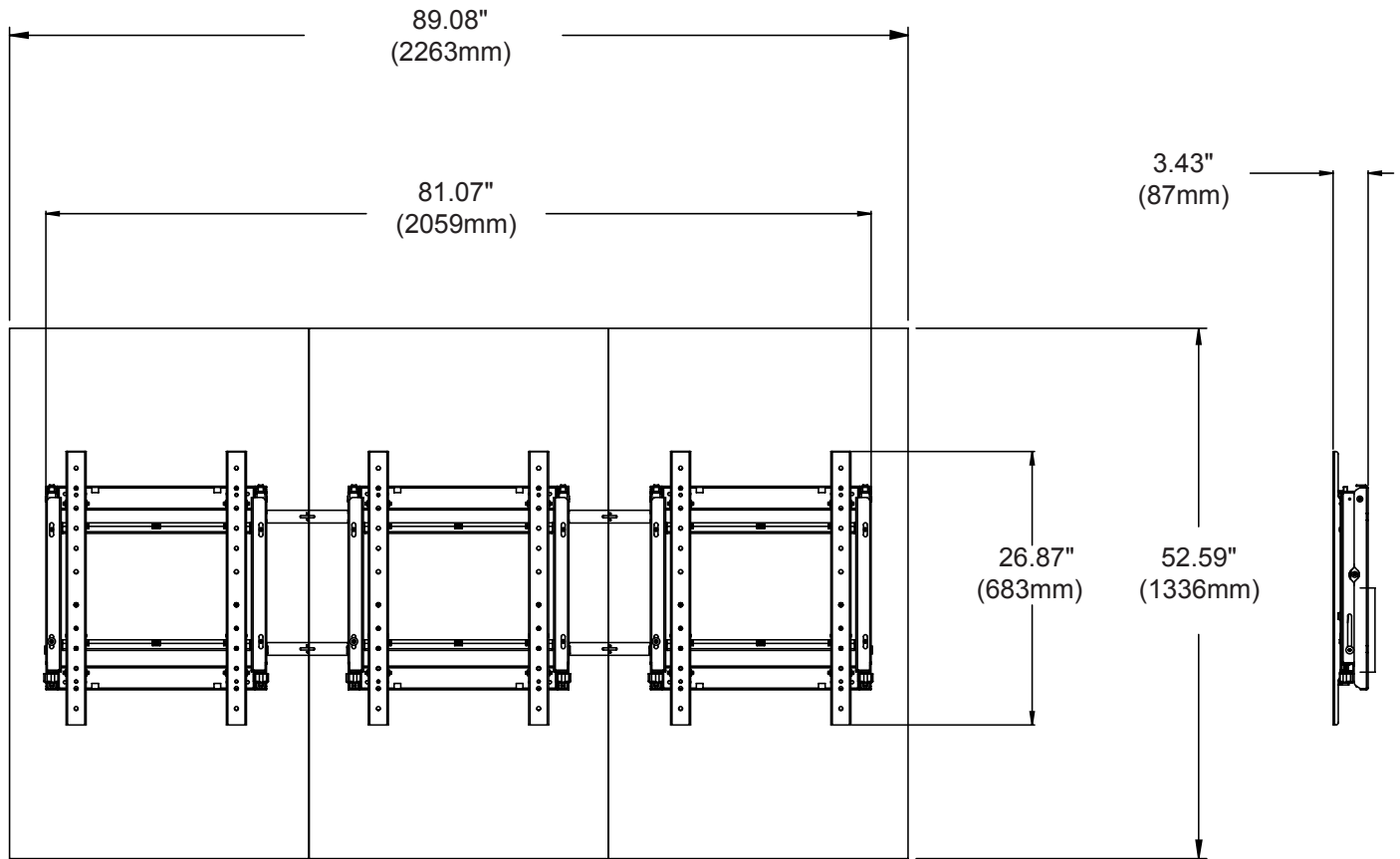
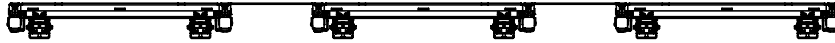
The video wall shall be a Peerless model **PN-PW310** and shall be constructed of heavy gauge cold rolled steel. It shall be finished in scratch resistant black fused epoxy. Assembly and installation shall be done according to the instructions provided by the manufacturer.

TECHNICAL DATA SHEET

MODELS: PN-PW310

ALL DIMENSIONS: inch [mm]

TOP VIEW



FRONT VIEW

SIDE VIEW