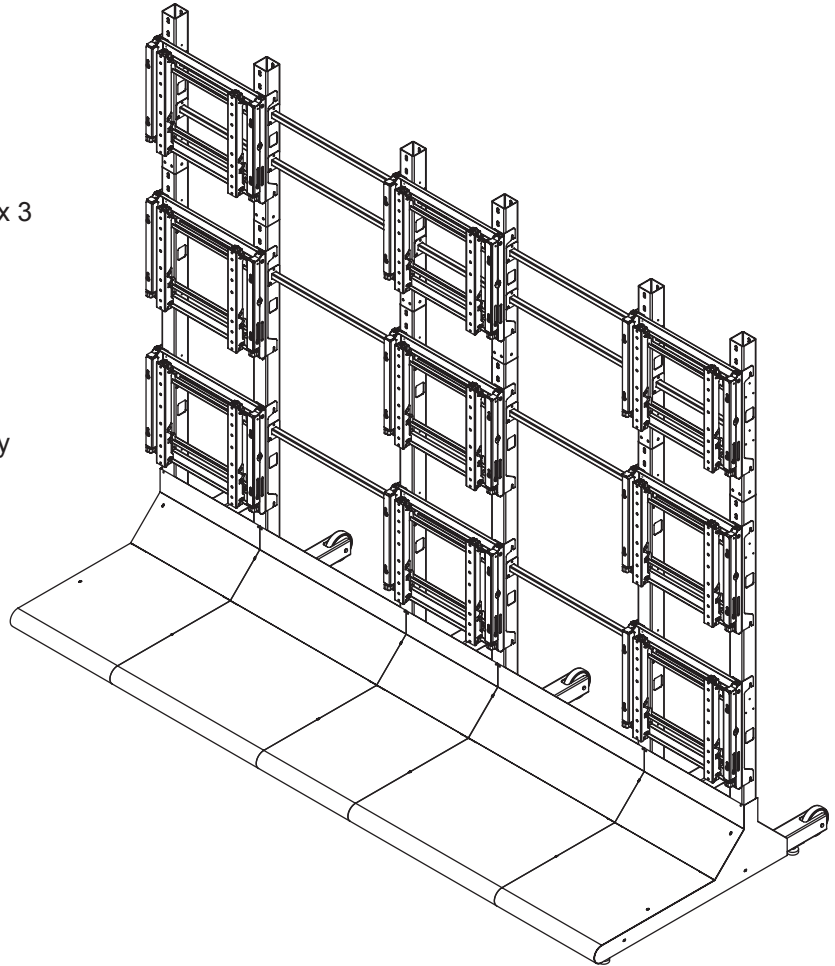


TECHNICAL DATA SHEET - MODELS: PN-PS330

peerless-AV™

Features:

- Dedicated mount attachment points for a 3 x 3 matrix
- Screens adjust in three planes without tools
- Durable covers maintain a clean look
- Levelers adjust to uneven floors
- Robust plate steel and tubular design
- Fixed 5" hard rubber wheel allow for mobility
- 900 lb capacity



Dimensions:

Shipping weight:
1207 lbs (547 kg)

Shipping Carton dimensions:

BOX 1

L = 88 in (2235 mm)
W = 55 in (1397 mm)
H = 19 in (482 mm)

Shipping Carton dimensions:

BOX 2

L = 88 in (2235 mm)
W = 55 in (1397 mm)
H = 19 in (482 mm)

ARCHITECTS SPECIFICATIONS

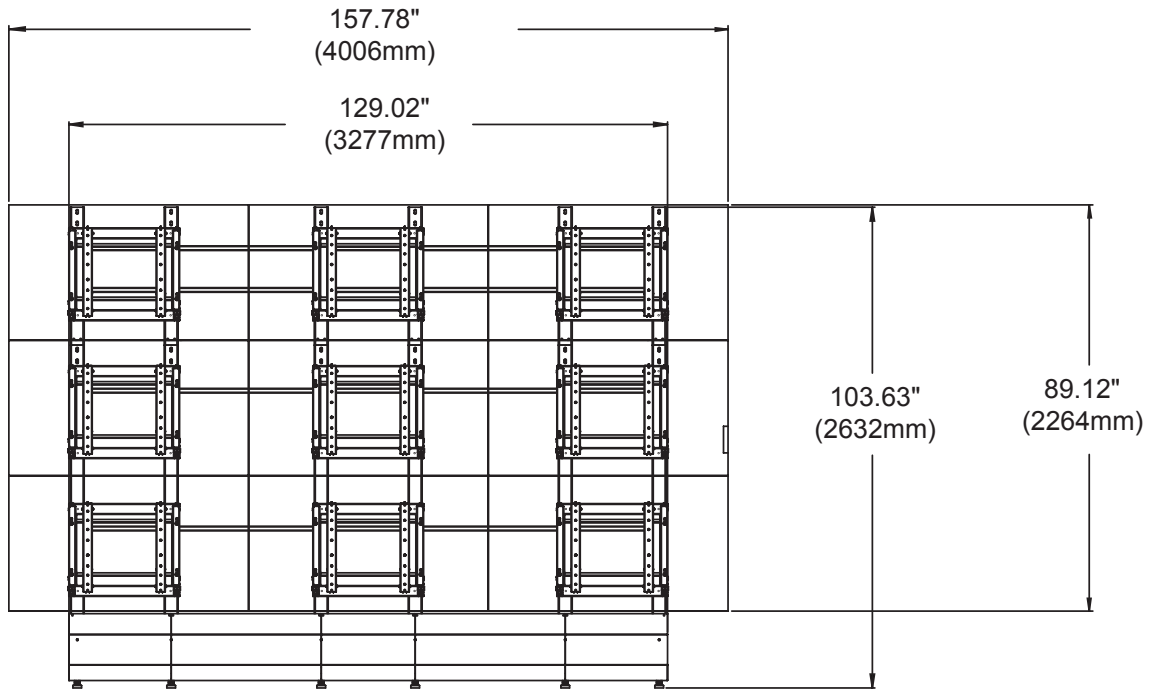
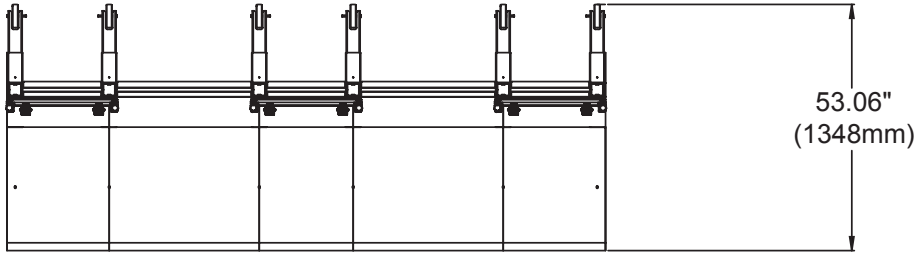
The video wall stand shall be a Peerless model **PN-PS330** and shall be constructed of heavy gauge cold rolled steel. It shall be finished in scratch resistant black fused epoxy. Assembly and installation shall be done according to the instructions provided by the manufacturer.

TECHNICAL DATA SHEET

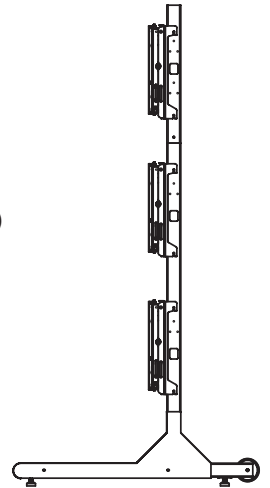
MODELS: PN-PS330

ALL DIMENSIONS: inch [mm]

TOP VIEW



FRONT VIEW



SIDE VIEW