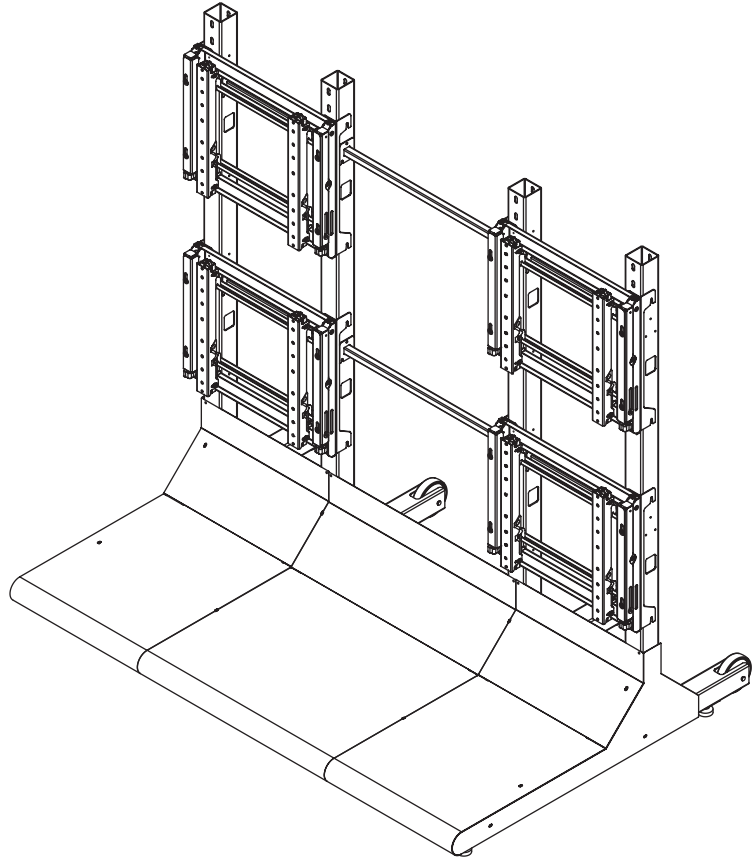


TECHNICAL DATA SHEET - MODELS: PN-PS220

peerless-AV™

Features:

- Fixed 5" hard rubber wheel allow for mobility
- Dedicated mount attachment points for a 2 x 2 matrix
- Screens adjust in three planes without tools
- Durable covers maintain a clean look
- Levelers adjust to uneven floors
- Robust plate steel and tubular design
- 400 lb capacity



Dimensions:

Shipping weight:
620 lbs (281.12 kg)

Shipping Carton dimensions:

L = 88 in (2235 mm)
W = 55 in (1397 mm)
H = 19 in (482 mm)

ARCHITECTS SPECIFICATIONS

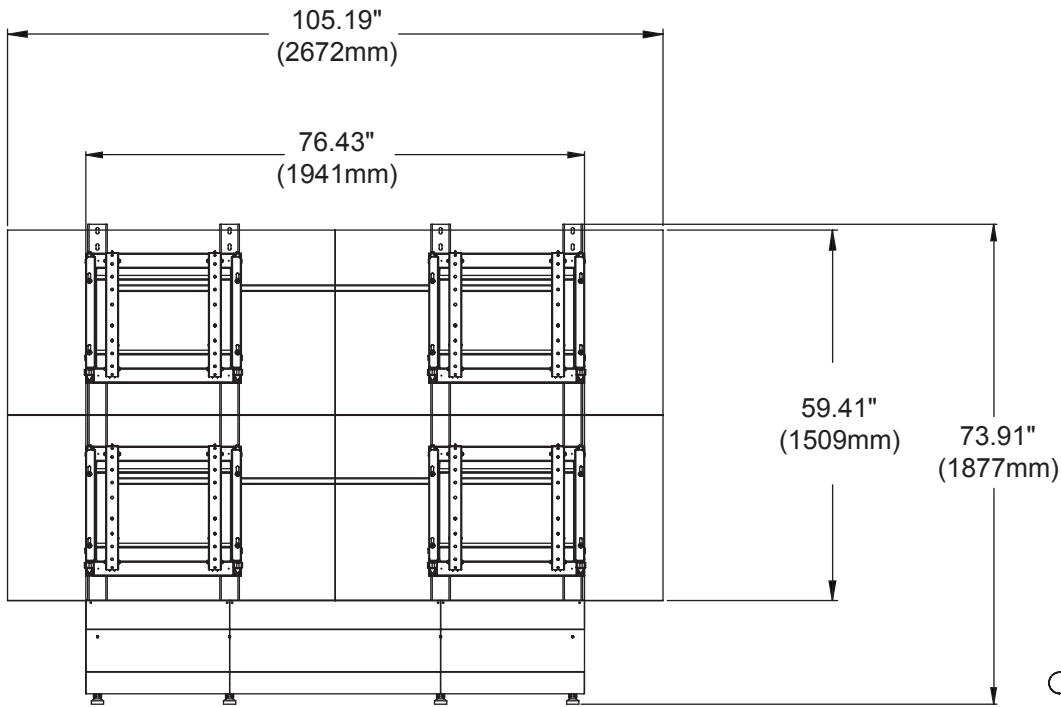
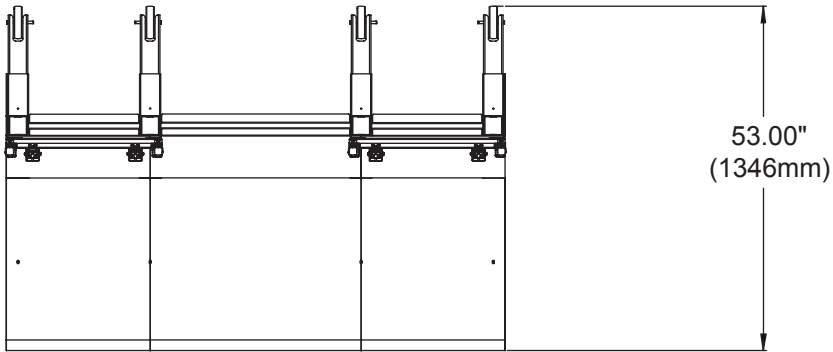
The video wall stand shall be a Peerless model **PN-PS220** and shall be constructed of heavy gauge cold rolled steel. It shall be finished in scratch resistant black fused epoxy. Assembly and installation shall be done according to the instructions provided by the manufacturer.

TECHNICAL DATA SHEET

MODELS: PN-PS220

ALL DIMENSIONS: inch [mm]

TOP VIEW



FRONT VIEW

