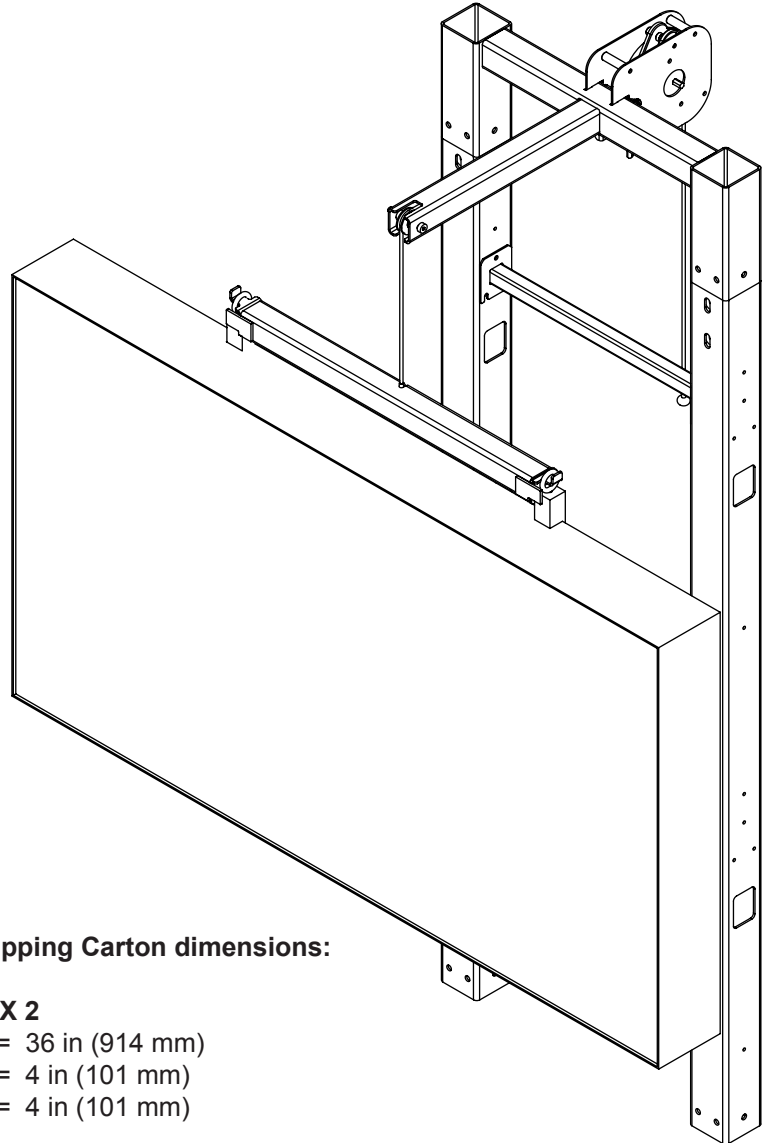


TECHNICAL DATA SHEET - MODELS: PN-PL1

peerless-AV™

Features:

- 110 lb weight capacity
- Comes with 25 ft of cable
- Operates with power drill
- For use on Sharp Models PN-PS220, PN-PS330, & PN-PS440



Dimensions:

Shipping weight:
50 lbs (23 kg)

Shipping Carton dimensions:

BOX 1

L = 27.5 in (698 mm)
W = 21.5 in (546 mm)
H = 27 in (685 mm)

Shipping Carton dimensions:

BOX 2

L = 36 in (914 mm)
W = 4 in (101 mm)
H = 4 in (101 mm)

ARCHITECTS SPECIFICATIONS

The Power Assist Mount shall be a Peerless model **PN-PL-1** and shall be constructed of heavy gauge cold rolled steel. It shall be finished in scratch resistant black fused epoxy. Assembly and installation shall be done according to the instructions provided by the manufacturer.

TECHNICAL DATA SHEET

MODELS: PN-PL1

ALL DIMENSIONS: inch [mm]

