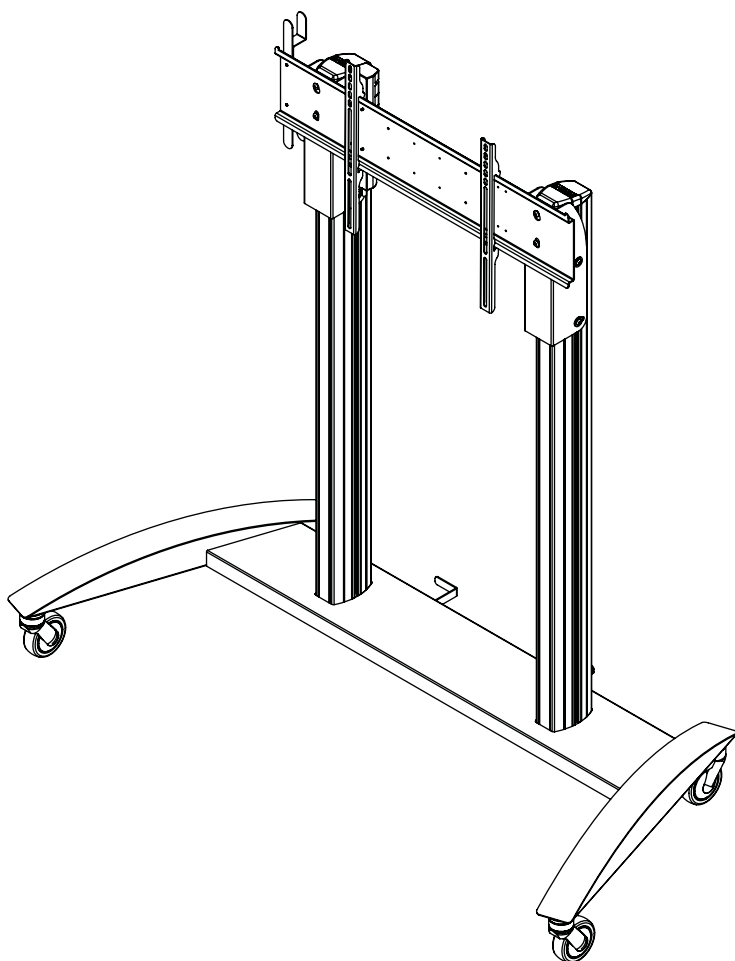
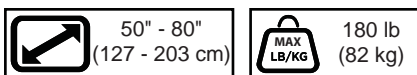


peerless-AV[®]

PN-SR780M



ENG Suitable for institutional use.



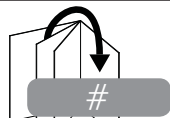
▲ WARNING

ENG - Do not begin to install product until you have read and understood the instructions and warnings contained in this user guide. Always use an assistant or mechanical lifting equipment to safely lift and position equipment. This product must be installed onto flat, hard, level surface to prevent tipping. Use with heavier televisions may result in instability causing tip over resulting in death or serious injury. The cart or stand is not affixed or secured to the floor, and may therefore tip over and/or fall if screen and/or stand is shaken or hit. This product is intended for indoor use only. Use of this product outdoors could lead to product failure or personal injury. Screws must be tightly secured. Do not overtighten screws or damage can occur and product may fail. Never exceed the Maximum Load Capacity. Be careful not to pinch fingers when operating the mount. Death or serious injury may occur when children climb on audio and/or video equipment furniture. A remote control or toys placed on the furnishing may encourage a child to climb on the furnishing and as a result the furnishing may tip over on to the child. Relocating audio and/or video equipment to furniture not specifically designed to support audio and/or video equipment may result in death or serious injury due to the furnishing collapsing or over turning onto a child. An apparatus with Class I construction shall be connected to a mains wall plug with protective earthing connection. Mains powered apparatuses shall not be exposed to dripping or splashing, and no object filled with liquids, such as vases, shall be places on the apparatus. Whether using the mains plug or an appliance coupler as a disconnect devise, the disconnect devise must remain readily operable. For support please call customer care at 1-800-865-2112.

ENG Symbols



ENG WARNING



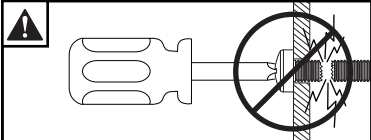
ENG Skip to step.



ENG Screws must get at least three full turns and fit snug.

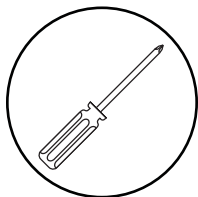


ENG Display center.



ENG Do not overtighten screws.

ENG Tools Needed for Assembly.

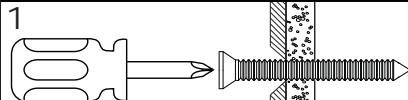


ENG The mounting system has no user serviceable parts.

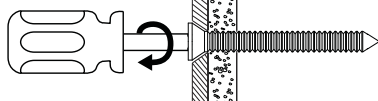


ENG To properly tighten screws: Tighten until screw head makes contact, then tighten another 1/2 turn. Do not overtighten screws.

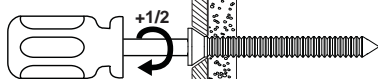
1



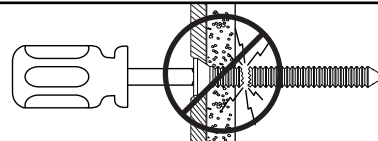
2



3

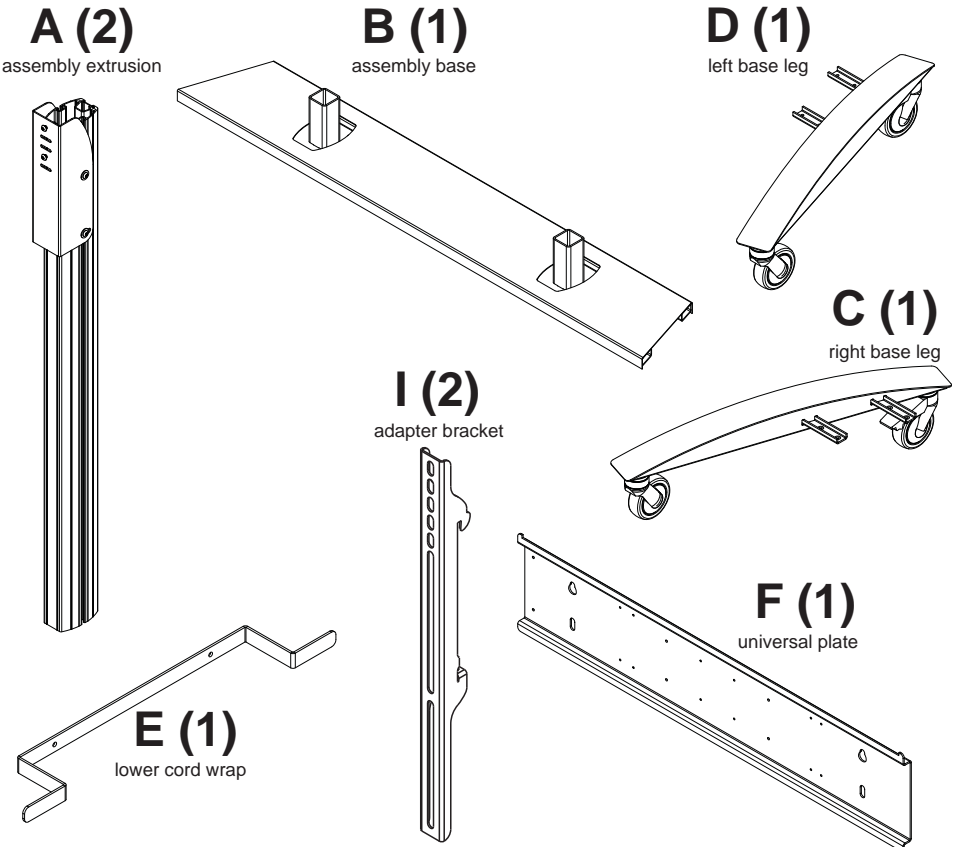


4



Parts List

Description	Qty	Part #
A assembly extrusion	2	009-6907
B assembly base	1	009-6881
C right base leg	1	009-6914
D left base leg	1	009-6915
E lower cord wrap	1	009-6878
F universal plate	1	009-6917
G surge protector 6 outlet	1	PVP1100-CPL6
H frame cord wrap	1	009-6666
I adapter bracket	2	202-6656
J 5/16-18 x .5" screw	8	520-1874
K lock washer	6	540-9424
L 3/8-16 x 1.5" screw	6	520-1329
M M4 x 10mm socket cap	4	520-2849
N M5 x 8mm screw	2	570-0005
O M5 x 16mm screw	2	520-9515
P 2.5mm allen wrench	1	560-0125
Q 1/4" washer	4	540-9440
R M6 x 12mm screw	4	520-1128
S 7/32" allen wrench	1	560-9715
T 3/16" allen wrench	1	560-0071
U 4mm allen wrench	1	560-1835
V 5/16" washer	8	540-1656
W plastic cap	2	009-1870



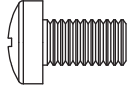
N (2)

M5 x 8mm



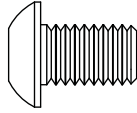
R (4)

M6 x 12mm



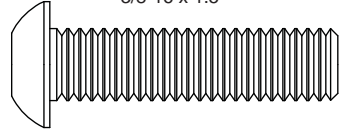
J (8)

5/16-18 x .5"



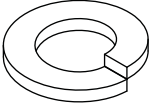
L (6)

3/8-16 x 1.5"



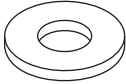
K (6)

lock washer



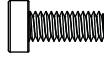
Q (4)

1/4" washer



M (4)

M4 x 10mm



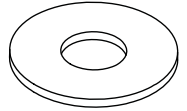
O (2)

M5 x 16mm



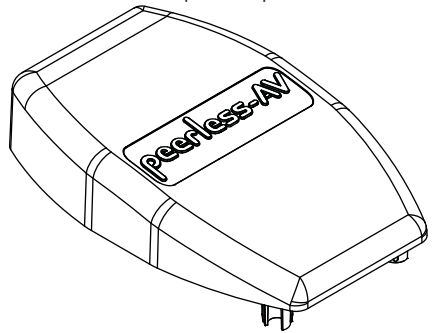
V (8)

5/16" washer



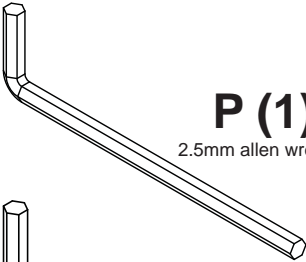
W (2)

plastic cap



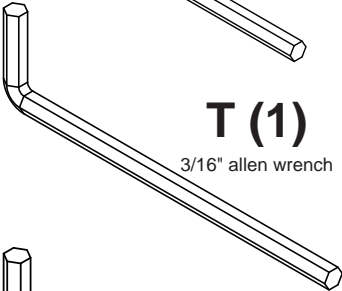
P (1)

2.5mm allen wrench



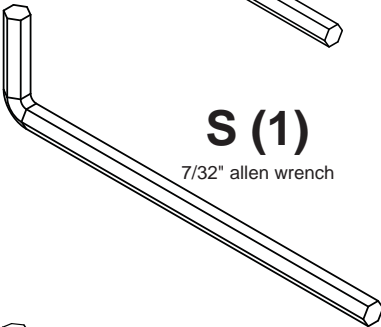
T (1)

3/16" allen wrench



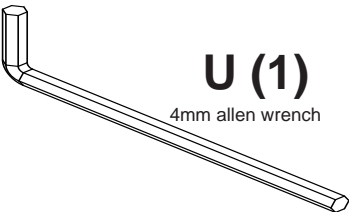
S (1)

7/32" allen wrench



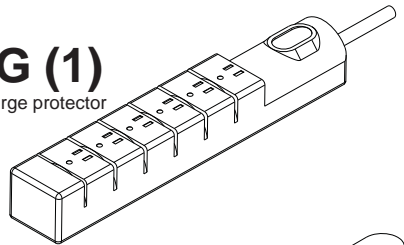
U (1)

4mm allen wrench



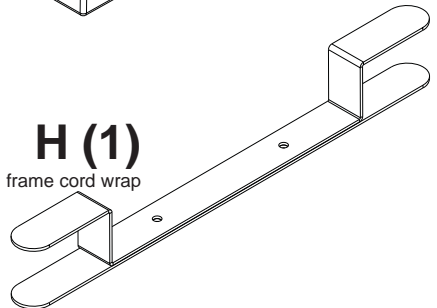
G (1)

surge protector

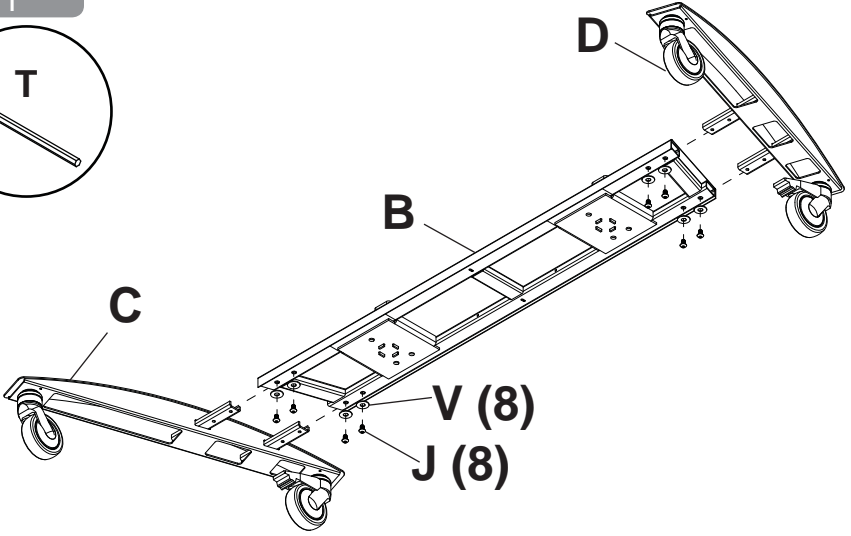
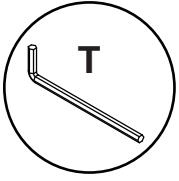


H (1)

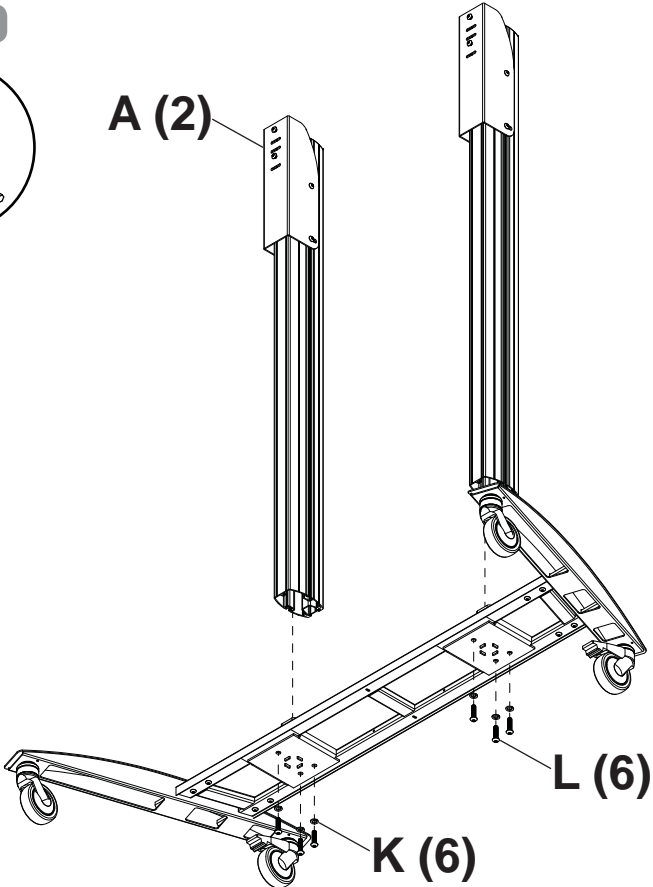
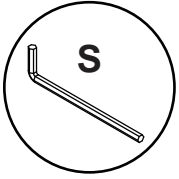
frame cord wrap



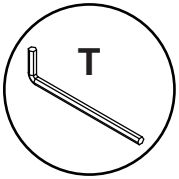
1



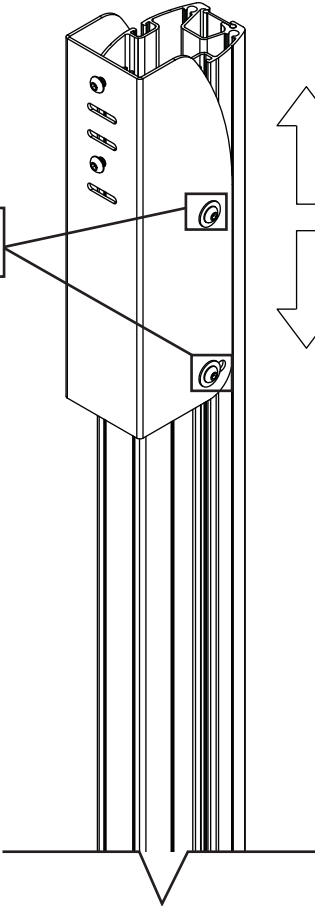
2



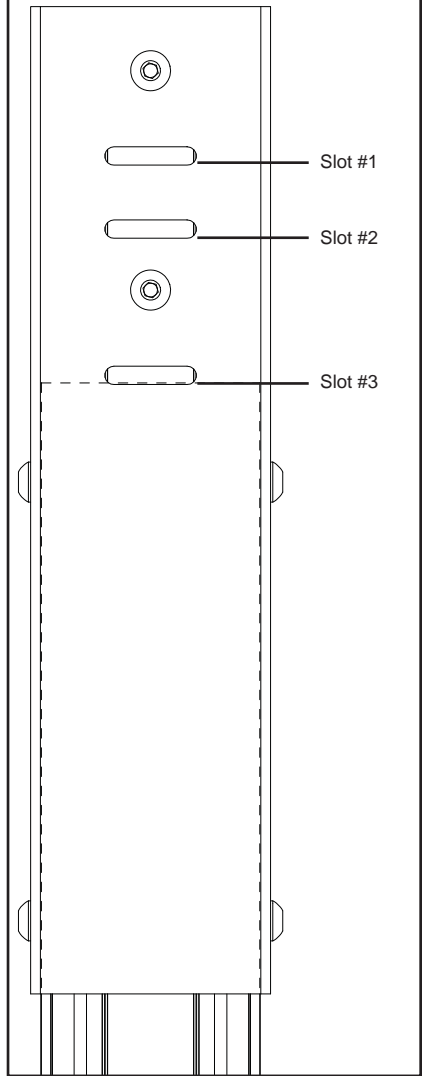
3



loosen, adjust, tighten: minimum 30 in. • lb (3 N.M.).



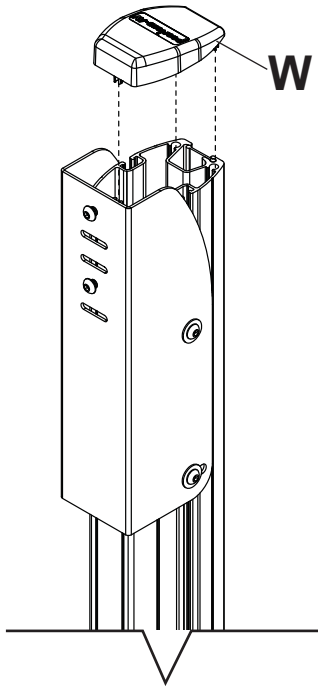
Align the slot with the top of the column for the display center height specified in the chart below



Center Of Display Hieght	PN-L603A height from ground	PN-L703A height from ground	PN-L803C height from ground
slot 1 57.1" (1450mm)	38.9" (988mm)	36.5" (928mm)	36.0" (914mm)
slot 2 58.1" (1476mm)	39.9" (1014mm)	37.5" (954mm)	37.0" (940mm)
slot 3 60.1" (1526mm)	41.9" (1064mm)	39.5" (1004mm)	39.0" (990mm)

4

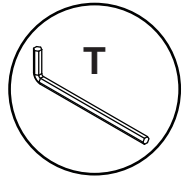
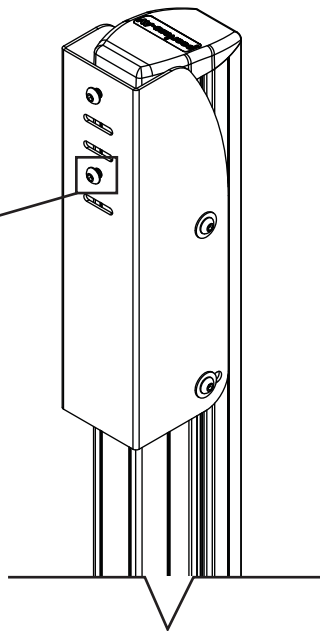
x2



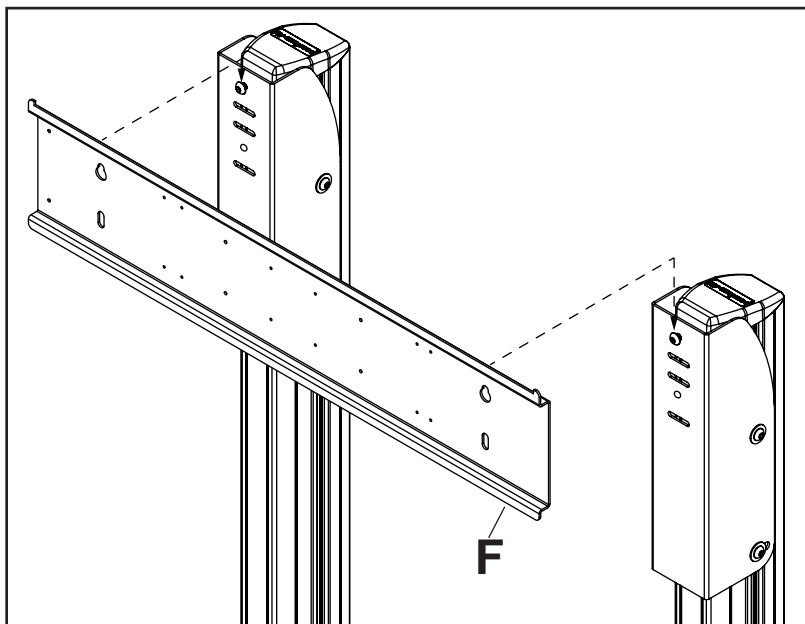
5

x2

remove

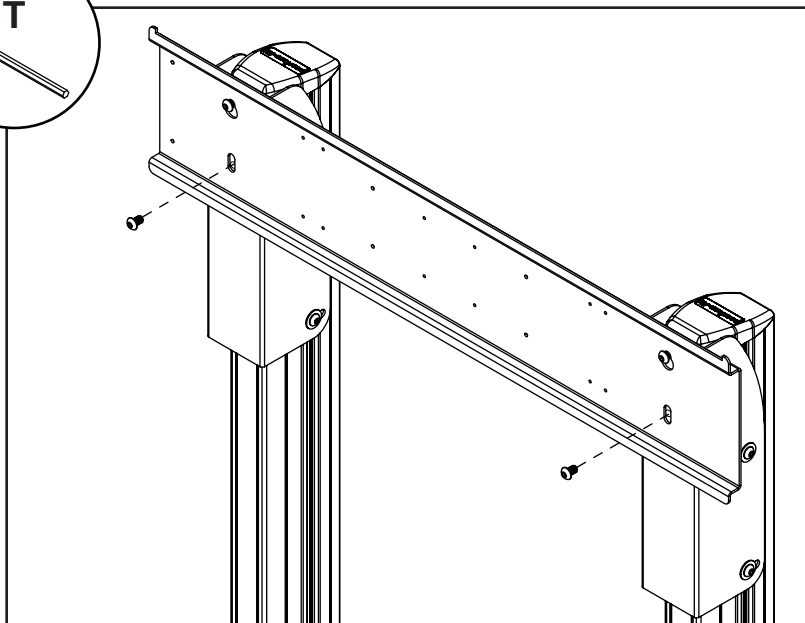
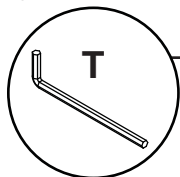


6

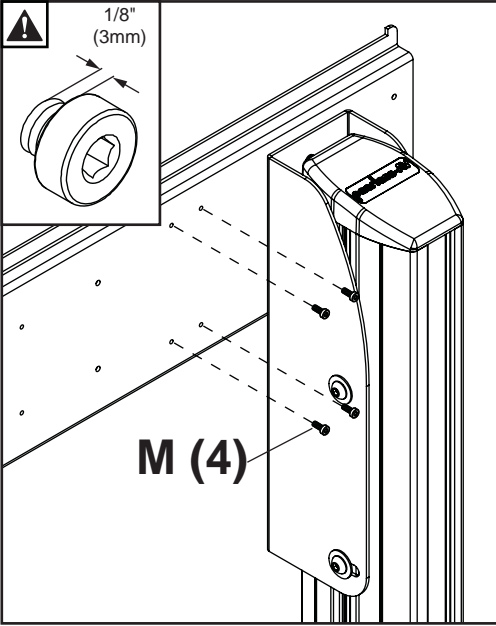
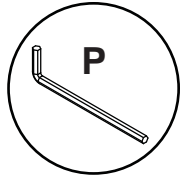


7

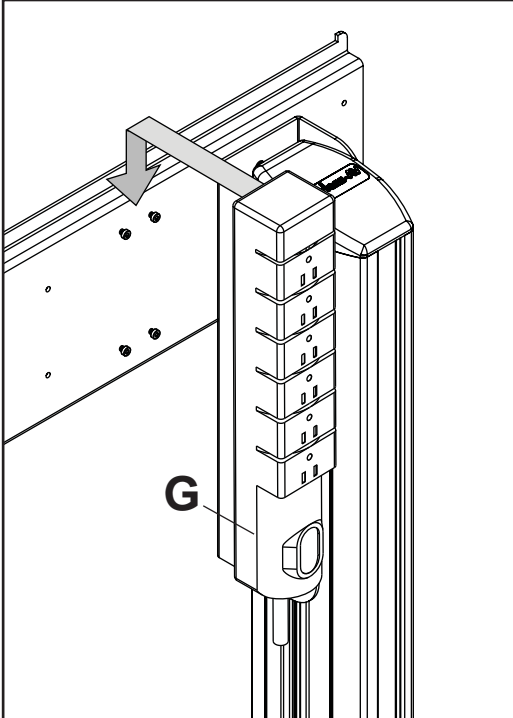
tighten all screws



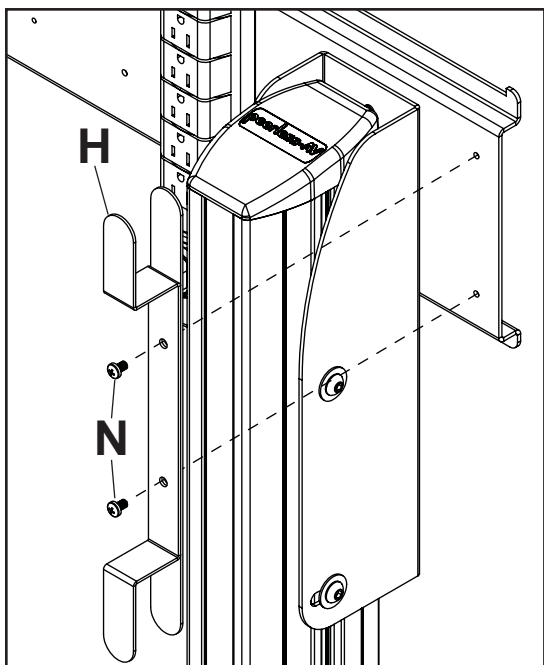
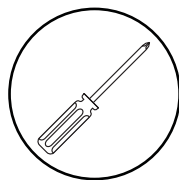
8



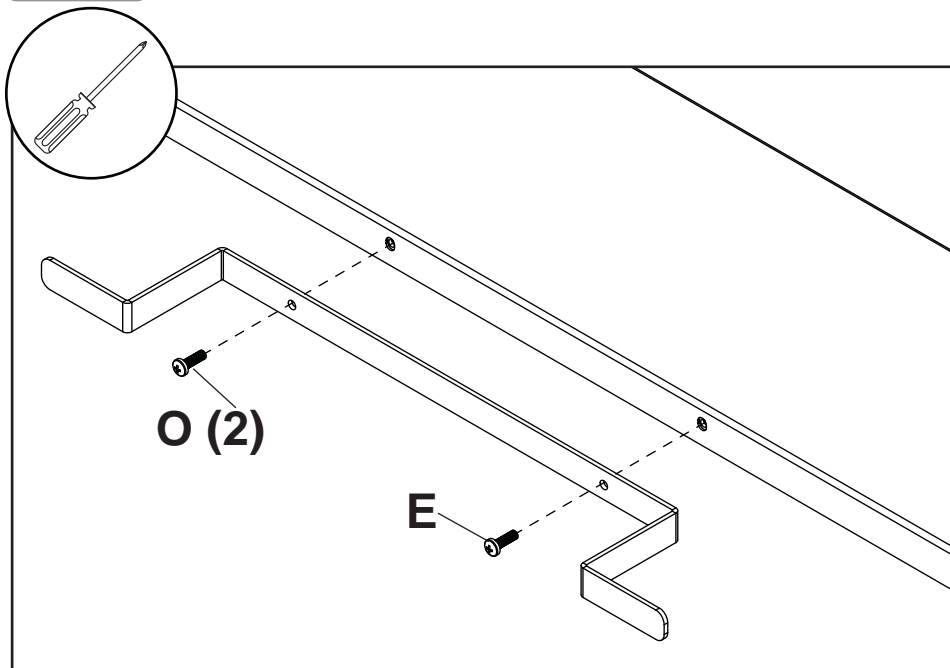
9



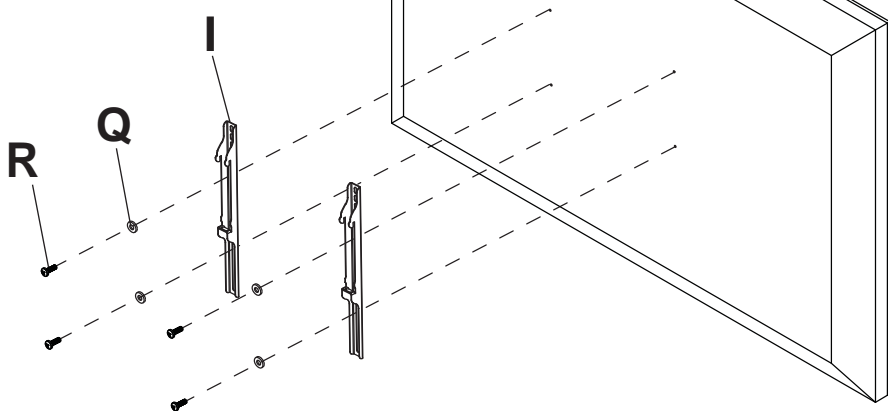
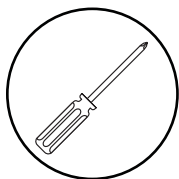
10



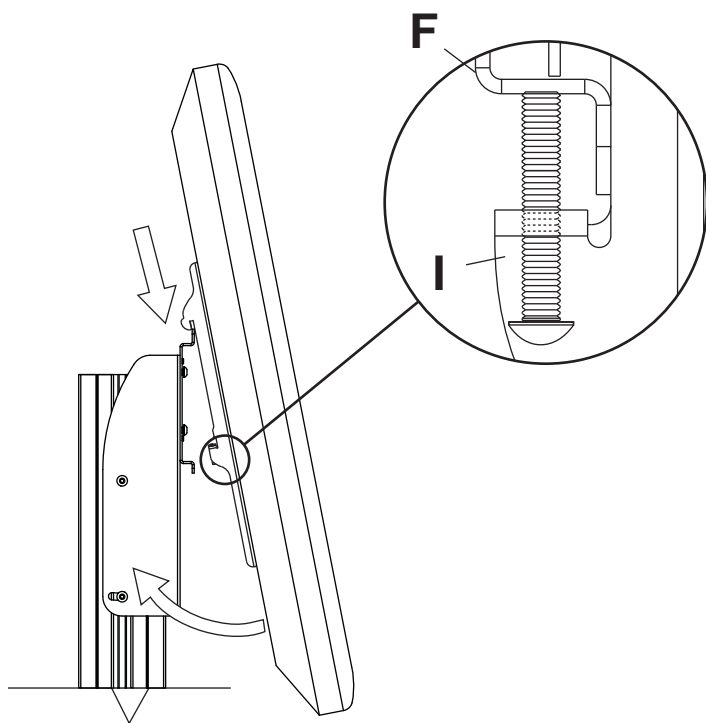
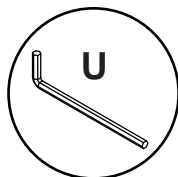
11



12



13



LIMITED FIVE-YEAR WARRANTY

Peerless Industries, Inc. ("Peerless") warrants to original end-users of Peerless® products will be free from defects in material and workmanship, under normal use, for a period of five years from the date of purchase by the original end-user (but in no case longer than six years after the date of the product's manufacture). At its option, Peerless will repair or replace, or refund the purchase price of, any product which fails to conform with this warranty.

In no event shall the duration of any implied warranty of merchantability or fitness for a particular purpose be longer than the period of the applicable express warranty set forth above. Some states do not allow limitations on how long a implied warranty lasts, so the above limitation may not apply to you.

This warranty does not cover damage caused by (a) service or repairs by the customer or a person who is not authorized for such service or repairs by Peerless, (b) the failure to utilize proper packing when returning the product, (c) incorrect installation or the failure to follow Peerless' instructions or warnings when installing, using or storing the product, or (d) misuse or accident, in transit or otherwise, including in cases of third party actions and force majeure.

In no event shall Peerless be liable for incidental or consequential damages or damages arising from the theft of any product, whether or not secured by a security device which may be included with the Peerless® product. Some states do not allow the exclusion or limitation of incidental or consequential damages, so the above limitation or exclusion may not apply to you.

This warranty is in lieu of all other warranties, expressed or implied, and is the sole remedy with respect to product defects. No dealer, distributor, installer or other person is authorized to modify or extend this Limited Warranty or impose any obligation on Peerless in connection with the sale of any Peerless® product.

This warranty gives specific legal rights, and you may also have other rights which vary from state to state.

The logo for Peerless-AV features the word "peerless" in a bold, lowercase, red sans-serif font. To its right, the letters "AV" are rendered in a red outline font, with a registered trademark symbol (®) to the upper right of the "V".

Peerless-AV
2300 White Oak Circle
Aurora, IL 60502
Email: tech@peerlessmounts.com
Ph: (800) 865-2112
Fax: (800) 359-6500
www.peerless-av.com

Peerless-AV Europe
Unit 3 Watford Interchange,
Colonial Way, Watford, Herts,
WD24 4WP, United Kingdom
Customer Care
44 (0) 1923 200 100
www.peerless-av.com

Peerless-AV de Mexico
Ave de las Industrias 413
Parque Industrial Escobedo
Escobedo N.L Mexico 66050
Servicio al Cliente
01-800-849-65-77
www.peerless-av.com